



■ Order information

SCONI - 800 -

● Type

A	Analog Input(4digit)
B	BCD Input(5digit)
C	Total Counter(6digit)
S	Serial Input(4/6digit)

● Input signal

1	DC 4 ~ 20mA	Model 800A
2	DC 1 ~ 5V	
3	RTD (Pt100)	
4	Potentiometer	
A	Voltage Pulse	Model 800C
B	Open Collector Dry Contact	
C	TTL/COMS Level	Model 800B
S1	RS-485 (4d)	Model 800S
S2	RS-485 (6d)	
R	Other	

● Power supply

X	AC/DC 7 ~ 12V
Y	DC 24V

SCONI – 800A : Power(Isolation)
 - 800B, 800C : Power(Non Isolation)
 - 800S : Power(Isolation)

■ General

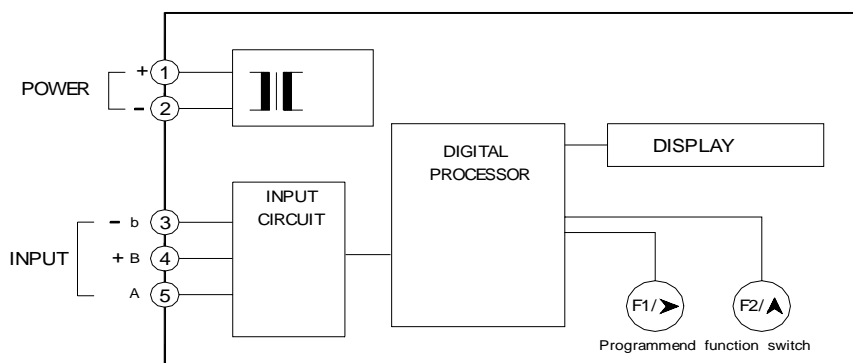
SCONI 800 series is graphic board indicator which contains microprocessor. It displays displacement of various input signal digitally as model. Also, it is very convenient to use for range and function can be changed by key switch in front panel arbitrarily.

■ General specification

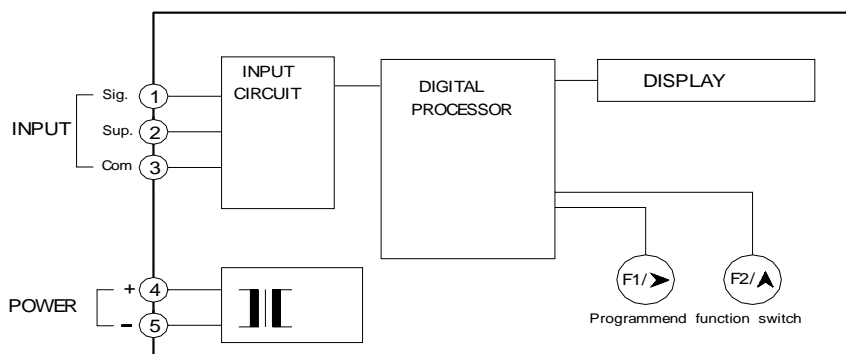
Item	Specification
Power Supply	AC/DC 12V ± 10%
	DC 24V ± 10%(Isolation)
Power Consumption	Less than 2VA
Tolerance	± 0.1 % of FS.
Display	4 Digit / 5 Digit / 6 Digit
LED	0.57 inch or 0.4 inch / 7-Segment
Isolation	Input/Output DC 500V 100MΩ or more
Isolation Strength	Input/Output AC 1500V/min(DC 24V)
Set up Method	Program method by key switch
Operating Temperature	0 ~ 55
Operating Humidity	20 ~ 80 % RH
Weight	Approx 200g
Material/Color	ABS Resin / Black
Dimension	W 75 x H 25 x D 85 (mm)
Mounting	Panel Flush

■ Block diagram

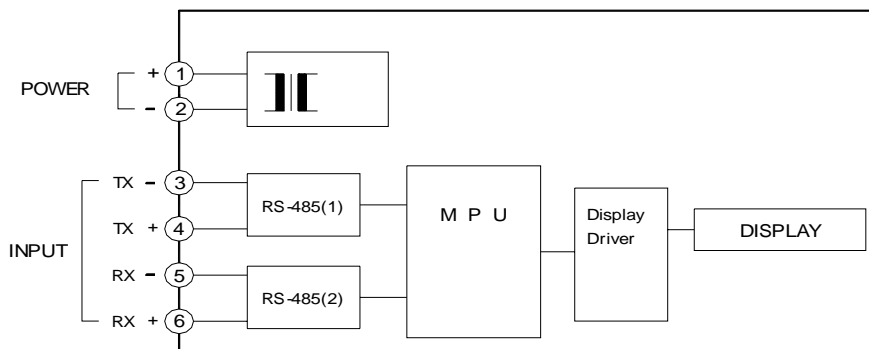
800A



800C

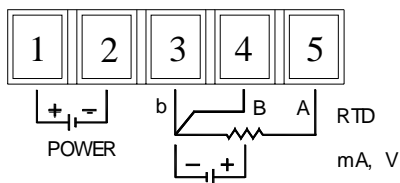


800S

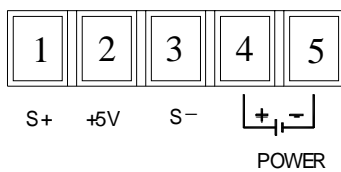


■ Terminal connection

800A



800C



800S

