



■ Order information

SCONI - IPD -

● Input signal

A	DC24V /4~20mA
R	Other

● Output signal (1)

1	DC 0~50mV
2	DC 0~100mV
3	DC 0~5V
4	DC 0~10V
5	DC 1~5V
6	DC 0~1mA
7	DC 0~20mA
8	DC 4~20mA
R	Other

● Output signal (2)

1	DC 0~50mV
2	DC 0~100mV
3	DC 0~5V
4	DC 0~10V
5	DC 1~5V
6	DC 0~1mA
7	DC 0~20mA
8	DC 4~20mA
R	Other
N	Not used

● Power supply

X	AC 110 V/220V
Y	DC 24V

■ General

This model supplies DC power into pressure transmitter, oil level transmitter, level transmitter and converts current signal of transmitter into isolated DC signal simultaneously.

■ General specification

Item	Specification
Input	2-Wire transmitter
Output	Various DC current, DC voltage
Tolerance	± 0.2% Max.
Linearity	± 0.02% F.S
Response Time	Less than 0.5sec(0~90%)
Temperature Coefficient	± 0.015% /
Output adjust Range	ZERO ± 20% SPAN ± 20% of F.S
Isolation	More than 100MΩ(DC 500V)
Dielectric Strength	Input/Output/Power AC 1500V / min
Power Supply	AC 110/220V ±10% 50/60Hz 3VA
	DC 24V ±10%, Less than 100mA
Operating Temperature	0 ~ 55
Operating Humidity	20 ~ 80%
Weight	Approx 400gr(AC), 250gr(DC)
Material/Color	ABS Resin / Black
Dimension	W48 x H80 x D102 (mm)
Mounting	Wall or DIN Rail

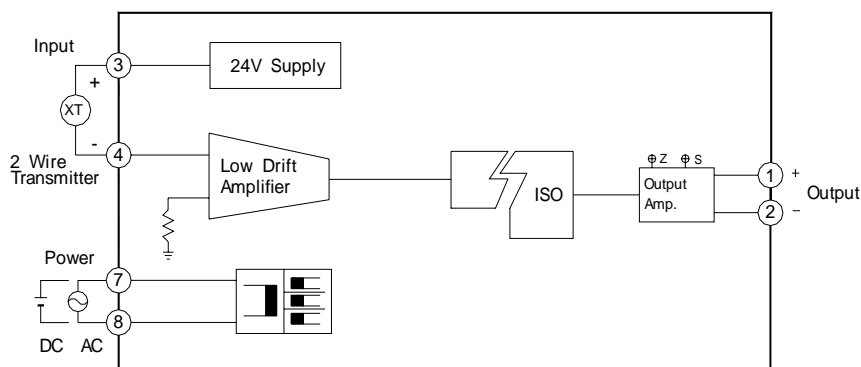
■ Input - Output specification

Input	Specification
Supply Voltage	DC 24 ~ 28V
Current Limited	22mA (Max)
Input Impedance	100Ω

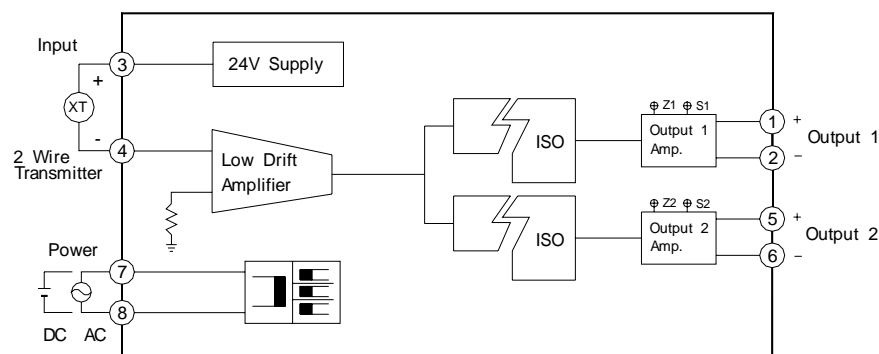
Output	Load Resistance	Impedance
0 ~ 100mV	1kΩ or more	100Ω or less
0 ~ 5V	2kΩ or more	0.1Ω or less
0 ~ 10V	4kΩ or more	
0 ~ 1mA	0 ~ 15kΩ	5MΩ or mores
4 ~ 20mA	0 ~ 750Ω	

■ Block diagram

1 Output

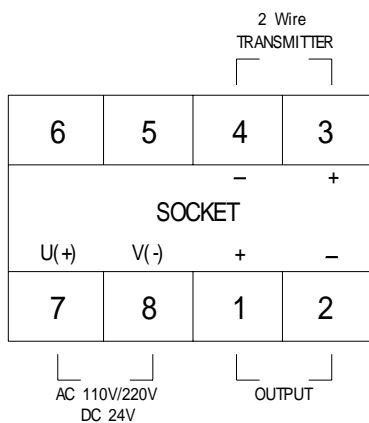


2 Output



■ Terminal connection

1 Output



2 Output

