



■ Order information

SCONI - DFC - -

● Input signal

A	DC 0 ~ 50mV
B	DC 0 ~ 100mV
C	DC 0 ~ 5V
D	DC 0 ~ 10V
E	DC 1 ~ 5V
F	DC 0 ~ 1mA
G	DC 0 ~ 20mA
H	DC 4 ~ 20mA
R	Other

● Output signal

1	Voltage Pulse
2	Current Pulse
3	Open Collector
4	Dry Contact
R	Other

● Power supply

X	AC 110V/220V
Y	DC 24V

■ General

This model converts DC voltage and current input into isolated pulse signal.

■ General specification

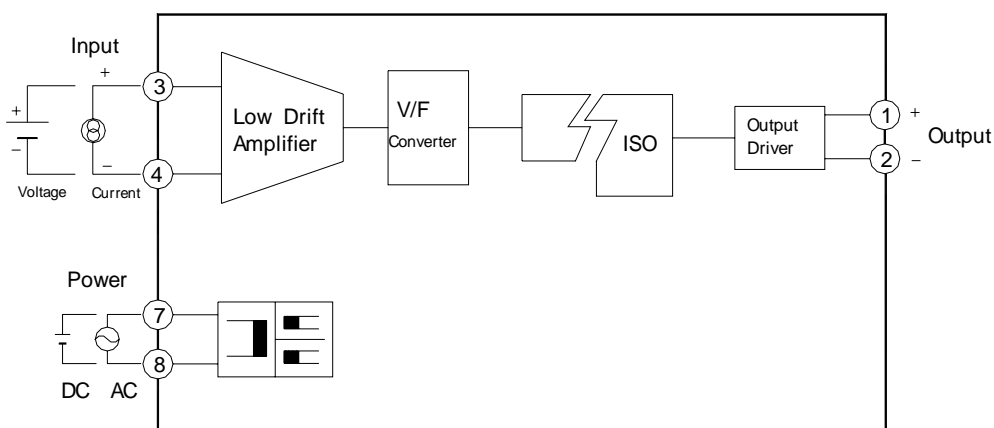
Item	Specification
Input	Various DC current, DC voltage
Output	Various pulse
Tolerance	± 0.2% Max.
Linearity	± 0.1% F.S
Response Time	Less than 0.5sec(0~90%)
Temperature Coefficient	± 0.015% /
Output adj Range	ZERO ± 20% SPAN ± 20% of F.S
Isolation	More than 100MQ(DC 500V)
Dielectric Strength	Input/Output/Power, AC 1500V / min
Power Supply	AC 110/220V ±10% 50/60Hz 3VA DC 24V ±10%, Less than 100mA
Operating Temperature	0 ~ 55
Operating Humidity	20 ~ 80%
Weight	Approx 400gr(AC), 250gr(DC)
Material/Color	ABS Resin / Black
Dimension	W48 x H88 x D102 (mm)
Mounting	Wall or DIN Rail

■ Input - Output specification

Input	Impedance
0 ~ 100mV	20kΩ ~ 1MΩ
0 ~ 5V	
0 ~ 10V	
0 ~ 1mA	1kΩ
4 ~ 20mA	100Ω

Output	Specification
Open Collector	DC 48V / 50mA Freq : 100kHz (Max)
Voltage Pulse	DC 5V, 12V, 15V Freq : 100kHz (Max)
Relay Contact	AC 120V or DC 30V / 1A Freq : 1Hz (Max)

■ Block diagram



■ Terminal connection

